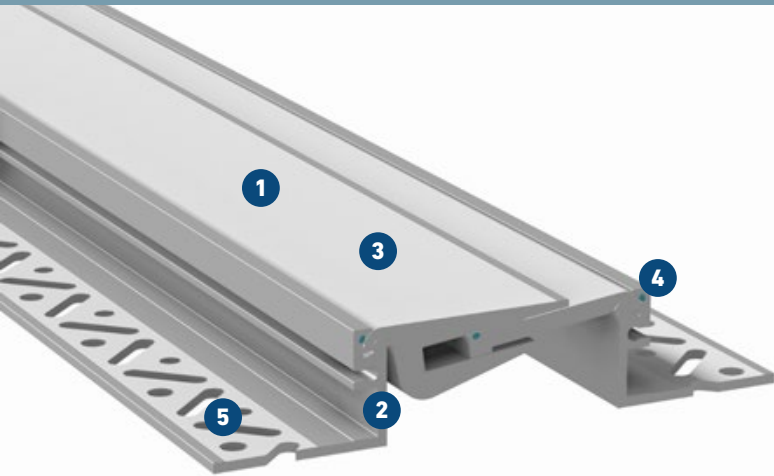


FSX 130

FOR HEAVY DUTY FLOORS

MIGUTRANS

HEAVY-DUTY ALL-METAL JOINT SOLUTIONS
FOR LARGE TRAFFIC LOADS



- 1 New, improved design**
Innovative layout of the line
- 2 Solid all-metal expansion joint**
hard wearing, maintenance-free, long lasting
- 3 Striated surface**
ensures good skid resistance
- 4 Articulated telescoping system with optimized movement control**
absorbs movement in 3 directions, with improved shock absorbing elements
- 5 Punctured leg with MIGUA mounting matrix®**
Provides optimal anchoring alternatives in the underground

Now available Anodized!

For perfect match with interior design. Different colours can be combined. Color-fast and light resistant.

Expansion joint cover	Joint width max. b_f [mm]	Total movement Δb_f [mm]	Visible width b_s [mm]	Total width b_t [mm]	Joint height h [mm]	Load bearing capacity [kN]	Load bearing capacity [kN]	Load bearing capacity solid plastic tyres [kg/mm]
FSX 130/22 *	100	40 (±20)	134	255	22	300	130	10
FSX 130/30 *	100	40 (±20)	134	255	30	300	130	10
FSX 130/40	100	40 (±20)	134	255	40	300	130	10
FSX 130/50	100	40 (±20)	134	255	50	300	130	10
FSX 130/60	100	40 (±20)	134	255	60	300	130	10
FSX 130/80	100	40 (±20)	134	255	80	300	130	10
FSX 130/100	100	40 (±20)	134	255	100	300	130	10

* Minimum joint width 100 mm

Production length: 4 m

Standard colour: Aluminium, available in anodized version, too
Further installation heights on request.

Applicable for anodized expansion joint covers:

By anodizing the surface is hardened, but scratches can not be ruled out under mechanical stress of the profiles.
Slight color and / or gloss deviations between different batches or deliveries do not constitute a reason for complaint.

The processing is carried out in accordance with DIN 17611 and the Qualanod (Quality Label for Sulphuric Acid-Based Anodizing of Aluminium) regulations for the anodization of aluminum.

The expansion joint covers must be cleaned and maintained in accordance with the specifications of the Qualanod and the leaflet A5 of the aluminum center.

We are happy to advise you.

Standard colors based on EURAS color fans:

C 0 Nature C 31 Light
 C 32 Light bronze

Other colors on request.

