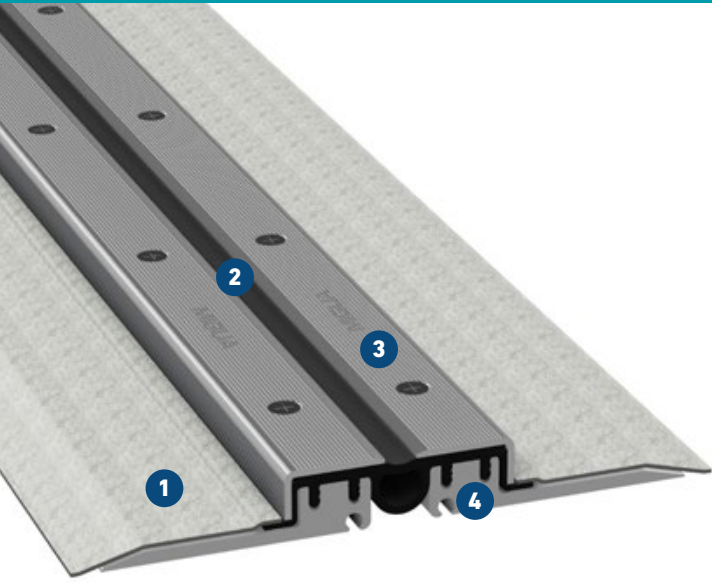


# FPG 80 NI XA

WITH XA FOILS FOR LIQUID PLASTIC SEALING. SMOOTH INSERT

# MIGUTAN

WATERTIGHT EXPANSION JOINT SOLUTIONS



## Official test certificates for watertightness available

Central insert with double-web to provide multilayered protection

- 1 Fleece laminated foil**  
Best possible connection with liquid plastic sealing
- 2 Central insert on top surface**  
Visual inspection and replacement without disrupting the surface
- 3 Striated stainless steel cappings ensures good skid resistance**  
100% watertight by max. pressure
- 4 Mounting brackets are made of high strength aluminium**  
High loads without any risk of rust

## Smooth central insert for increased hygienic requirements

Antibacterial and physiologically safe



Fire tested Bfl-s1  
(flame retardant)  
acc. to DIN EN 13501-1

Expansion joint cover	Joint width max.	Total movement	Visible width	Total width	Joint height	Load bearing capacity	Load bearing capacity	Load bearing capacity	Load bearing capacity
	$b_f \text{ max}$ [mm]	$\Delta b_f$ [mm]	$b_s$ [mm]	$b_t$ [mm]	$h$ [mm]	[kN]	[kN]	[kN]	solid plastic tyres [kg/mm]
FPG 80/25 NI XA	45	16 ( $\pm 8$ )	82	209	25	35	600	130	6,5
FPG 80/35 NI XA	45	16 ( $\pm 8$ )	82	209	35	35	600	130	6,5
FPG 80/45 NI XA	45	16 ( $\pm 8$ )	82	198	46	35	300	70	
FPG 80/60 NI XA	45	16 ( $\pm 8$ )	82	209	60	35	300	30	
FPG 80/80 NI XA	45	16 ( $\pm 8$ )	82	209	81	35	120	30	
FPG 80/95 NI XA	45	16 ( $\pm 8$ )	82	209	97	35	60		
FPG 80/115 NI XA	45	16 ( $\pm 8$ )	82	209	117	35	60		

Sealing against nonpressurized water.

Expansion joints with an installation height from 60 mm upwards can be adjusted to higher load capacity. Please ask for our advice.

